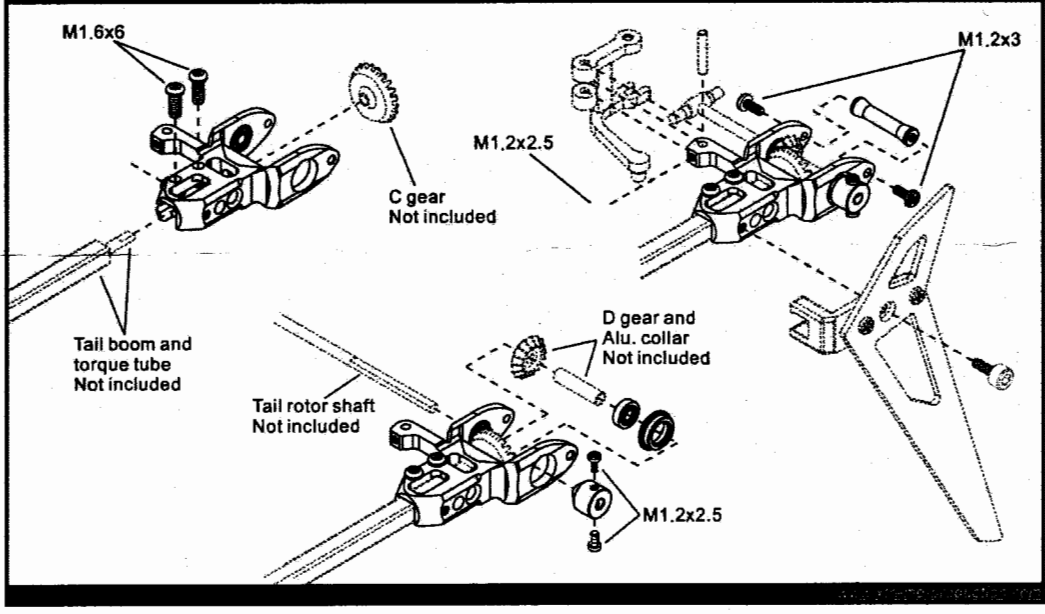


XTRME
FOR HAK DI 91

Integrated Tail Gear Unit w/ Angular Contacted Bearings

(For BLADE 130X B130X10)



Hardened Steel Bevel Gear

Because the size tolerance of the torque is quite large. If your gear cannot get in the torque, we suggest to file down the torque to fit the gear. It will take only few minutes to do it and you will have a tight fit to the metal gear.

Torque tube
Not included

Detailed description: This block contains a warning and a diagram. The text explains that due to large size tolerances, the gear may not fit into the torque tube. The recommendation is to file down the torque tube to achieve a tight fit. The diagram shows a gear being inserted into a torque tube, with a label indicating that the torque tube is 'Not included'.