

# BLADE 130X HELICOPTER Aluminum/Carbon Fiber X Frame (Rotary Servo Mount) INSTRUCTION

MICROHELI CO., LTD

COPYRIGHT © 2013 MICROHELI®

## 2 ALUMINUM/CARBON FIBER X FRAME (ROTARY SERVO MOUNT) MH-130X005XS



Apply Loctite to all screws.



Do not overtighten.

1.6x3x2 Aluminum Spacer

M1.6mm Nut .....x2

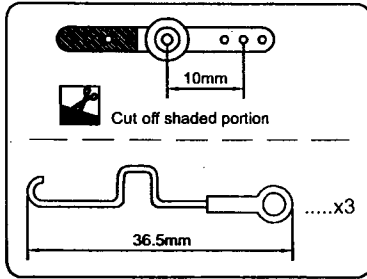
M1.6x3mm Phillips Head Screw .....x2

M1.6x3mm Phillips Head Screw .....x8

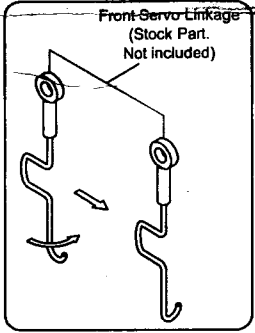
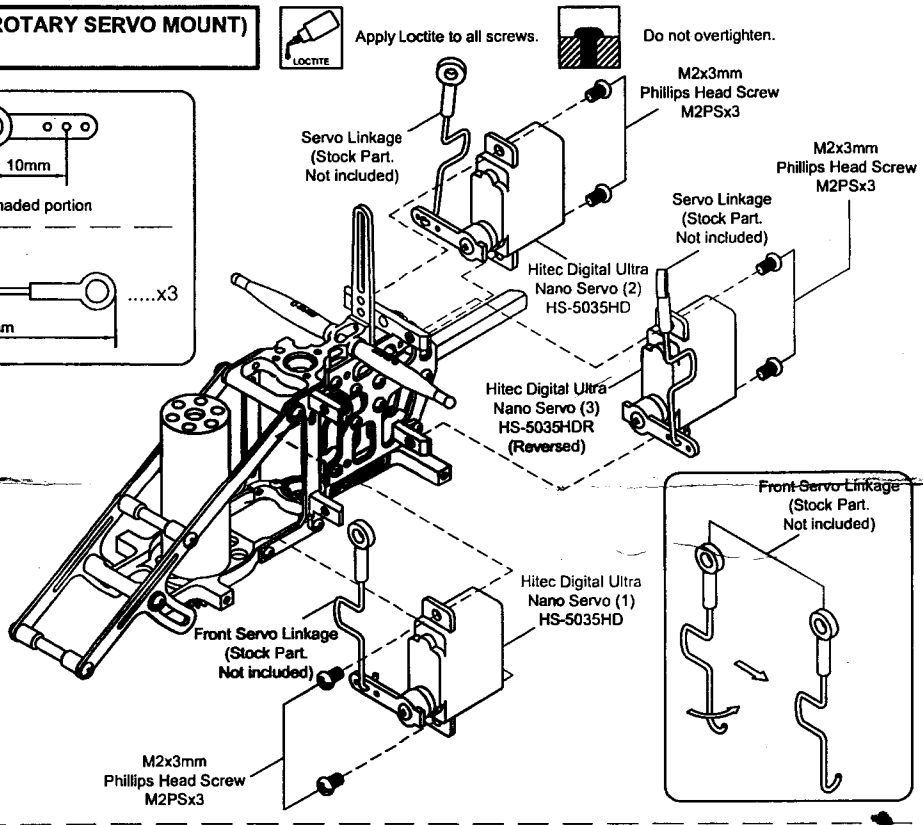
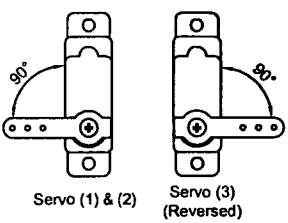
M1.6x4mm Phillips Head Screw .....x4

M1.6x6mm Phillips Head Screw .....x2

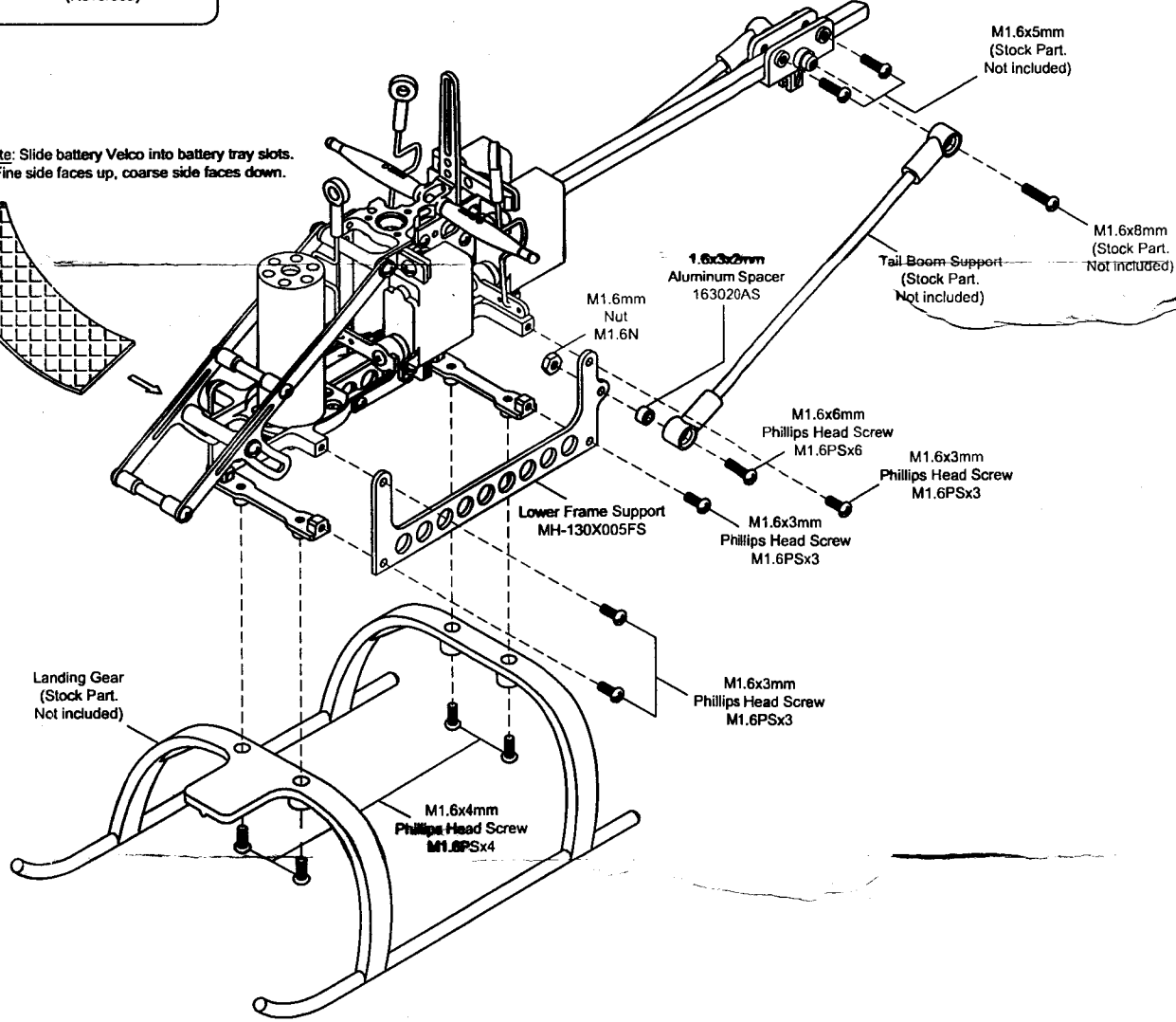
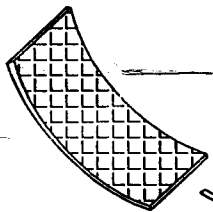
M2x3mm Phillips Head Screw .....x6



Note: Set all 3 servo arms 90° at neutral.



Note: Slide battery Velcro into battery tray slots. Fine side faces up, coarse side faces down.



# BLADE 130X HELICOPTER Aluminum/Carbon Fiber X Frame(Rotary Servo Mount) INSTRUCTION

MICROHELI CO., LTD

COPYRIGHT © 2013 MICROHELI®

## 1 ALUMINUM/CARBON FIBER X FRAME (ROTARY SERVO MOUNT) MH-130X005XS



Apply Loctite to all screws.



Do not overtighten.

1.6x3.5x0.5 Aluminum Washer .....	x4	M1.6x4mm Phillips Head Screw .....	x4
M1x2mm Phillips Head Screw .....	x2	1.5x4x2 Radial Bearing .....	x1
M1.2x2mm Phillips Head Screw .....	x10	4x7x2 Radial Bearing .....	x2
M1.2x3mm Phillips Head Screw .....	x15		
M1.4x4mm Phillips Head Screw .....	x4		
M1.6x3mm Phillips Head Screw .....	x4		

