

BLADE 130X HELICOPTER Carbon Fiber Vertical Fin INSTRUCTION

MICROHELI CO., LTD

COPYRIGHT © 2012 MICROHELI®

1 CARBON FIBER VERTICAL FIN MH-130X064VF



Apply Loctite to all screws.

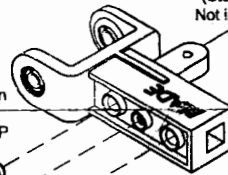
Tail Case Set
(Stock part.
Not included)

M1.4x3mm Phillips Head Screw



x1

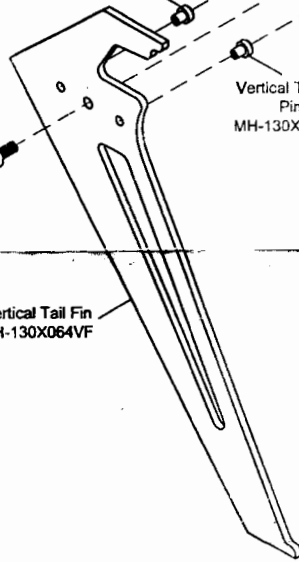
Vertical Tail Fin
Pin
MH-130X064FP



Vertical Tail Fin
Pin
MH-130X064FP

M1.4x3mm
Phillips Head Screw
M1.4PSx3

Vertical Tail Fin
MH-130X064VF



Apply Loctite

CAUTION: Please check your model helicopter carefully before attempt to fly!

REV. 130X064VF-170812-01

01

BLADE 130 X HELICOPTER Double Bearing Aluminum Tail Pitch Lever (GOLD) INSTRUCTION

MICROHELI CO., LTD

COPYRIGHT © 2012 MICROHELI®

1 DOUBLE BEARING ALUMINUM TAIL PITCH LEVER (GOLD) MH-130X226



Apply Loctite to all screws.

M1x3 Phillips Head Screw



x1

Delrin Lower Insert



x1

Delrin Upper Insert



x1

2mm Steel Ball



x1

1x3x1.5mm Radial Bearing

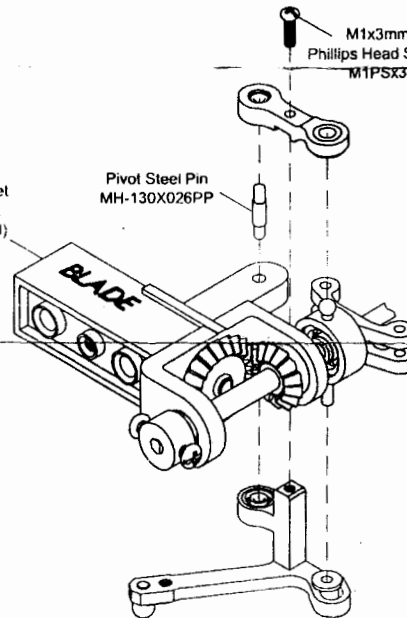


x2

M1x3mm
Phillips Head Screw
M1PSx3

Tail Case Set
(Stock part.
Not included)

Pivot Steel Pin
MH-130X026PP

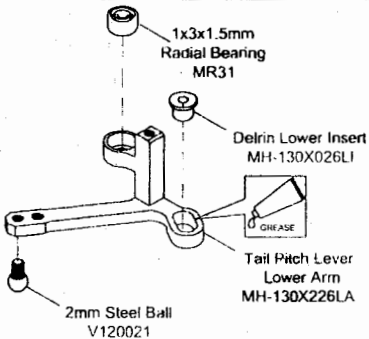


1x3x1.5mm
Radial Bearing
MR31

Delrin Lower Insert
MH-130X026LI

Tail Pitch Lever
Lower Arm
MH-130X226LA

2mm Steel Ball
V120021

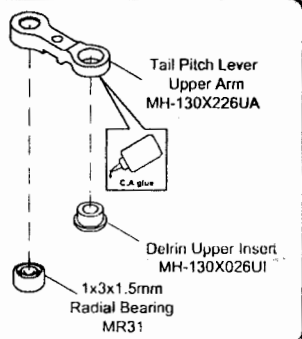


Tail Pitch Lever
Upper Arm
MH-130X226UA

C.A. glue

Delrin Upper Insert
MH-130X026UI

1x3x1.5mm
Radial Bearing
MR31



Apply Loctite



Apply C.A. glue



Apply Grease