

BLADE 130X HELICOPTER Aluminum 3rd Bearing Tail Drive Shaft Support (RED) INSTRUCTION

MICROHELI CO., LTD.

COPYRIGHT © 2013 MICROHELI

1 ALUMINUM 3RD BEARING TAIL DRIVE SHAFT SUPPORT (RED) MH-130X120



Apply Loctite to all screws

M1.2x5mm Phillips Head Screw

.....x4

1.5x4x2mm Radial Bearing

.....x1

1.5x4x1.2mm
Radial Bearing
MR681XZZ

Tail Boom 3rd
Bearing Coupling
MH-130X120

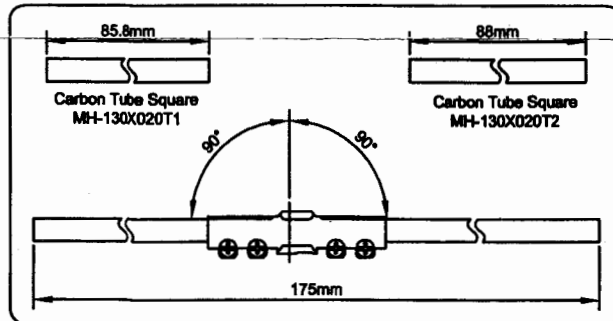
Tail Boom 3rd
Bearing Coupling
MH-130X120

Carbon Tube Square
MH-130X020T2

M1.2x5mm
Phillips Head Screw
M1250PSS

Carbon Tube Square
MH-130X020T1

Main Frame
(Stock part
not included)



Apply Loctite

CAUTION: Please check your model helicopter carefully before attempt to fly!

REV. 130X120-060913-01

01